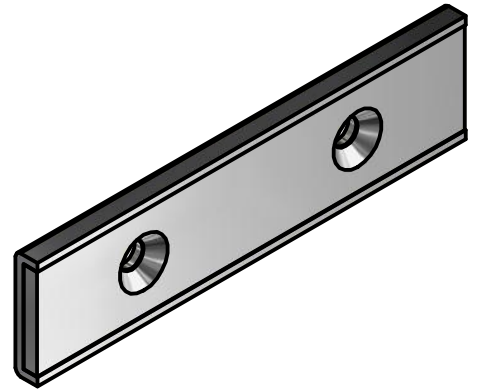
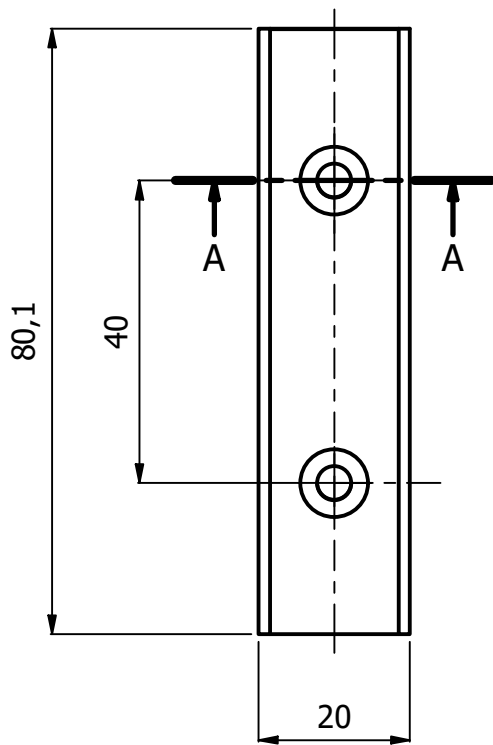
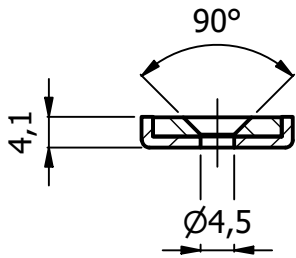


A-A (1:1)



All measures are in millimeters (mm)

Author M.D.	Date 09/11/2022	Type	Surface Treatment Nickel coated	Material	Measures tolerance: +/- 0.1 mm
			Description 2 countersink holes magnet inside an iron plate		
			Code SM80.35NI00.80204F4.5	Scale 1 : 1	Format A4
Via F. Comelli 39 33034 Fagagna UD - Tel. 0432 801675					