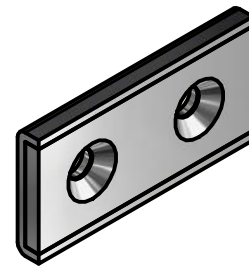
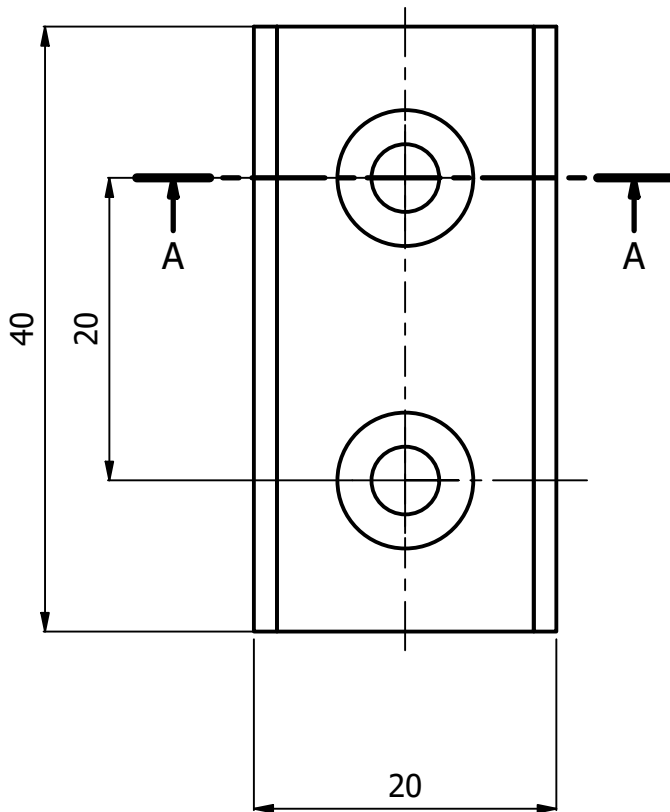
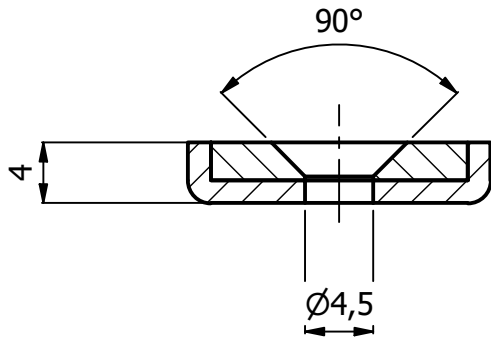


A-A (2:1)



All measures are in millimeters (mm)

|   |                    |      |  |                |                                |
|---|--------------------|------|--|----------------|--------------------------------|
| Author<br>M.D.  | Date<br>02/11/2022 | Type | Surface Treatment<br>Nickel coated                             | Material       | Measures tolerance: +/- 0.1 mm |
| <br>Via F. Comelli 39 33034 Fagagna UD - Tel. 0432 801675 |                    |      | Description<br>2 countersink holes magnet inside an iron plate |                |                                |
|   |                    |      | Code<br>SM80.35NI00.40204F4.5                                  | Scale<br>2 : 1 | Format<br>A4                   |