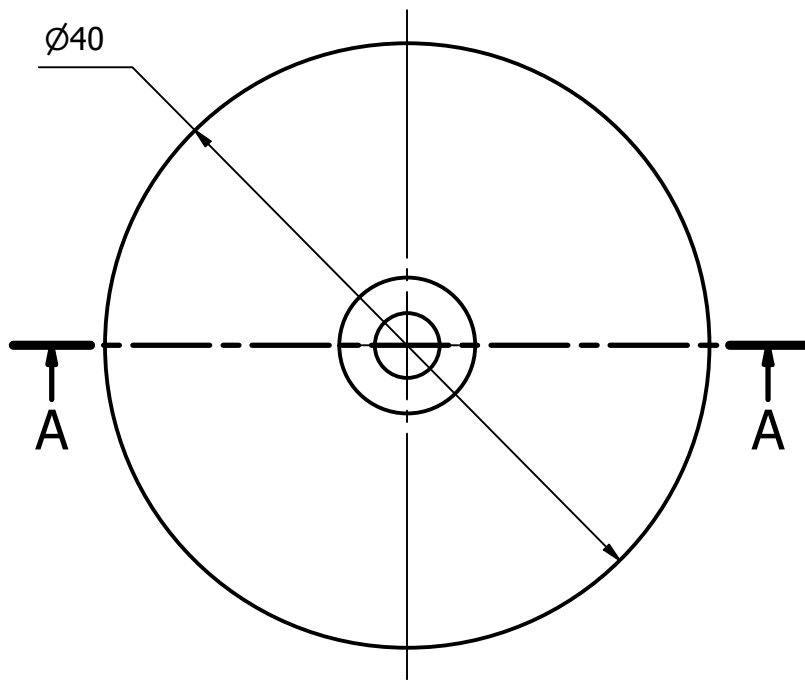
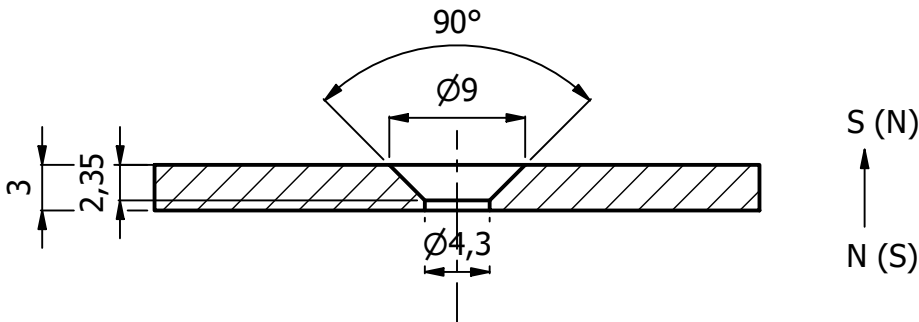


# A-A ( 2 : 1 )



1:1 scale

Author M.D.	Date 09/06/2020	Type N35	Surface Treatment Nickel coated	Material Neodymium	Measures tolerance: +/- 0.1 mm
----------------	--------------------	-------------	------------------------------------	-----------------------	--------------------------------

**ITALFIT magneti**

Description  
Countersink magnet (axially magnetized) N+S

Code  
NS01.35NI00.4034

Scale  
2 : 1

Format  
A4