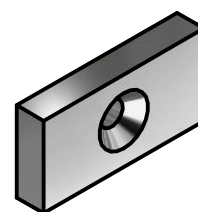
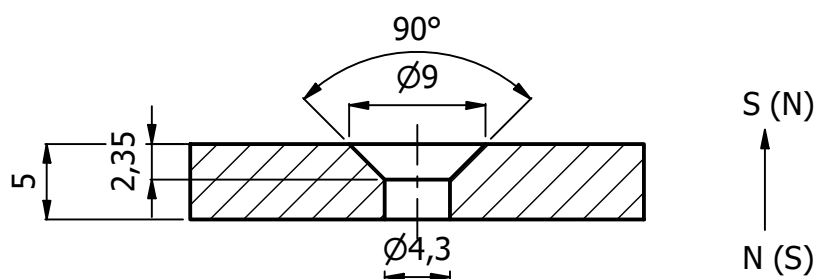
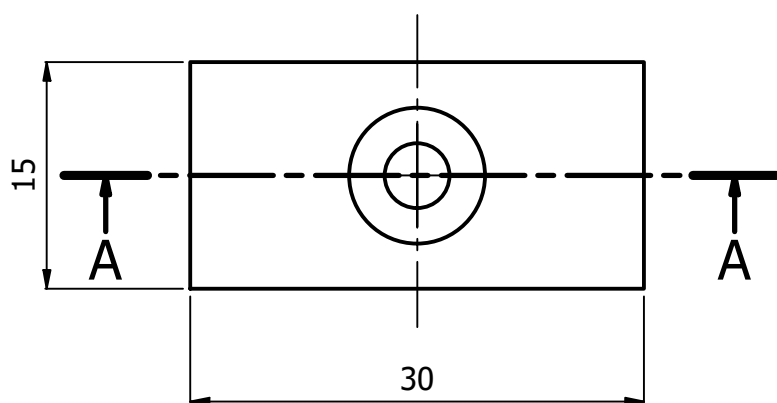


A-A (2 : 1)



1:1 scale



All measures are in millimeters (mm)

Author M.D.	Date 30/07/2020	Type N35	Surface Treatment Nickel coated	Material Neodymium	Measures tolerance: +/- 0.1 mm
----------------	--------------------	-------------	------------------------------------	-----------------------	--------------------------------

ITALFIT magneti

Description
Countersink hole magnet - axially magnetized (N+S pole)

Code
NQ01.35NI00.301554

Scale
2 : 1

Format
A4