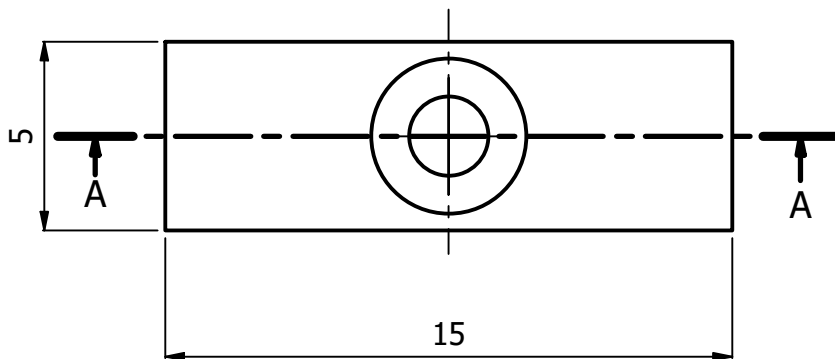



S (N)

N (S)



All measures are in millimeters (mm)

Author M.D.	Date 09/12/2021	Type	Surface Treatment Nickel coated	Material Neodymium	Measures tolerance: +/- 0.1 mm
			Description Countersink hole magnet - axially magnetized (N + S pole)		
			Code NQ01.35NI00.15532.1	Scale 5 : 1	Format A4
Via F. Comelli 39 33034 Fagagna UD - Tel. 0432 801675					