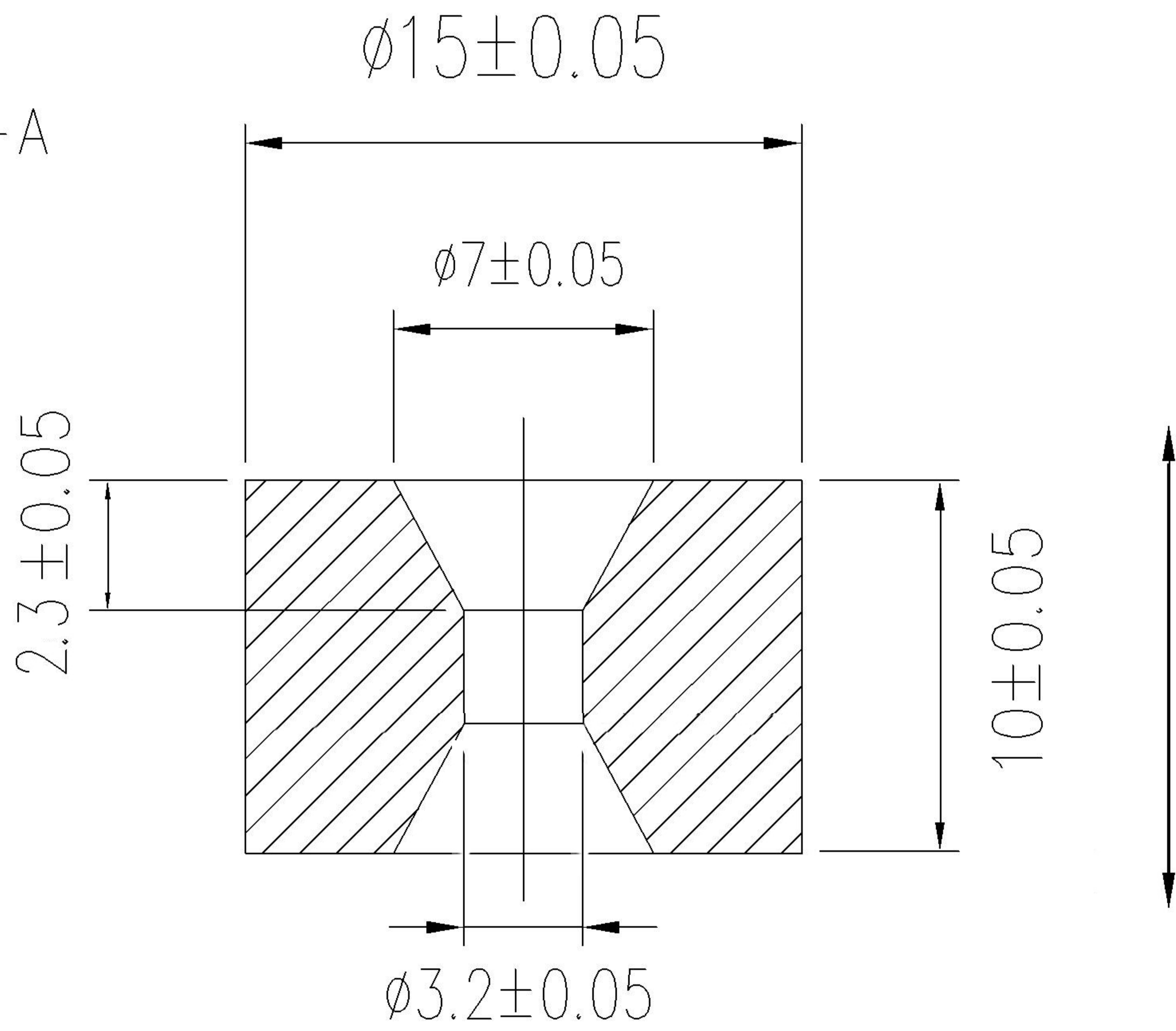


A-A



ITALFIT MAGNETI SRL

NdFeB

N35

D15\*10(D7/3.2)

1:1

NICUNI

DS01.15132